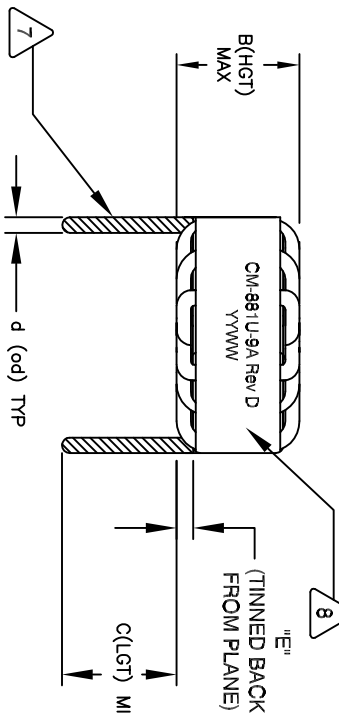


ROHS COMPLIANCE

REVISION HISTORY		SIGN & DATE				
REV	ECN	DESCRIPTION	BY	DATE	CHK	DATE
B		PRODUCTION RELEASE	RRR	12/2/05	JLJU	12/2/05
C		UPDATE TO ADD ROHS COMPLIANCE	KLC	4/2/09	AK	4/2/09
D		INDUCTANCE TOLERANCE AND HEIGHT TOLERANCE CORRECTED	KLC	3/2/10	AK	3/02/10

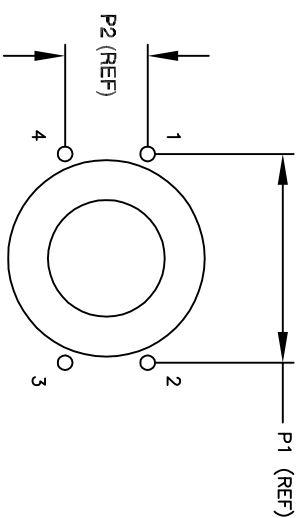
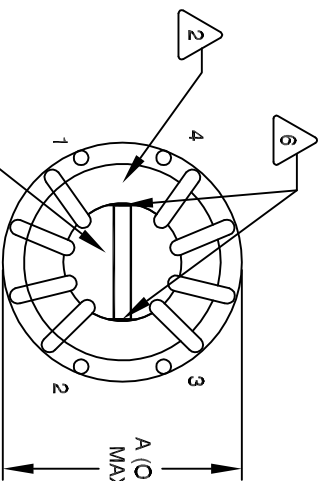


DIMENSIONAL TOLERANCE

A (OD) MAX	1.04(28.4)
B (HGT) MAX	.50(12.7)
C (LGT) MIN	0.500(12.70)
E	.020-.040
d (od) TYP	[0.51-1.04]
P1 (TYP)	.045(1.14)
P2 (TYP)	.800(20.30)
P2 (TYP)	.300(7.62)

FRONT VIEW

SCHEMATIC



MOUNTING HOLES PATTERN

- 9 BUILD TO ROHS COMPLIANCE
- WHERE SHOWN, USING A PERMANENT MARKING METHOD
MARK PART NUMBER AND REVISION
WRAP INDUCTOR WITH GLASS TAPE (3M #69 OR EQUAL)
- TO THE CORE
MUST REST FLAT ON PCB, LEADS MUST BE TANGENT
FLUSH WITH THE CORE EDGE, AS SHOWN (I.E. COIL
REMOVE INSULATION AND TIN LEADS APPROX. 0.50 INCH
- 7 APPLY EPOXY WHERE SHOWN
- 6 SPACER : TS3.00X11.70X9.00-FR-4 OR EQUAL
- 5 WIND BOTH COILS EVENLY SPACED
CONSTRUCTION:
WEIGHT: ~ 16 GRAM
1250 Vrms ISOLATION BETWEEN WINDING
INTER-WINDING CAPACITANCE = 12.8 pF TYPICAL
LEAKAGE INDUCTANCE = 5.5 uH TYPICAL
CURRENT RATING = 9 AMPS
DCR ON EACH WINDING = 6.5 MILLI-OHMS MAX
L = 840 mH ±30%, 10 KHZ, 250 mV
SPECIFICATIONS:
- 4 WIND BOTH COILS EVENLY SPACED
CONSTRUCTION:
WEIGHT: ~ 16 GRAM
1250 Vrms ISOLATION BETWEEN WINDING
INTER-WINDING CAPACITANCE = 12.8 pF TYPICAL
LEAKAGE INDUCTANCE = 5.5 uH TYPICAL
CURRENT RATING = 9 AMPS
DCR ON EACH WINDING = 6.5 MILLI-OHMS MAX
L = 840 mH ±30%, 10 KHZ, 250 mV
SPECIFICATIONS:
- 3 CWS BYTEMARK OR OTHER APPROVED PART
CORE: COATED FERRITE TOROID, HIGH PERM MNZN
- 2 RATING CLASS B (130 °C MIN.) REQUIRED
MATERIAL: UL RECOGNIZED 94V-0 FOR FLAMMABILITY

NOTES: UNLESS OTHERWISE SPECIFIED, READ FROM BOTTOM UP

CODE IDENT	MFG. P/N	DESCRIPTION	ITEM NO.
PARTS LIST			
AUTOCAD SOLIDWORKS	X	COILWS.COM, INC www.coilws.com	CWS Coil Winding Specialist. 353 W Grove Ave Orange, CA 92865
DRWMN	RRR	DATE	
DRXDD	JLJU	12/02/05	
ENGR	KSUM	12/02/05	
APPR.	JLJU	12/02/05	
TITLE:		Common Mode Line Filter 880 uH, 9 Amp, Horizontal	
SIZE	DRW. NO.	CM-881U-9A	REV D
SCALE	2=1	SHEET 1	OF 1